

**Bendi**

**B30AC**  
**B40AC**



**TOTAL**  
WAREHOUSE

[www.totalwarehouse.com](http://www.totalwarehouse.com)

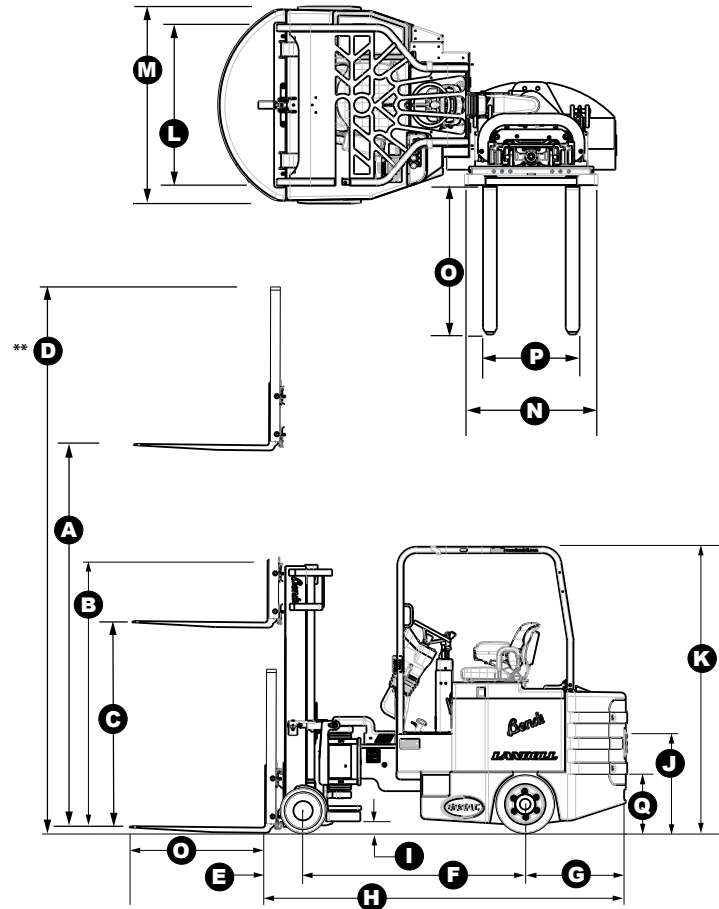
833-868-2500

# Bendi® Model B30AC & B40AC

The Landoll Bendi B30AC and B40AC are 4-wheel, articulating, AC powered, narrow aisle forklifts maximizing cube utilization while providing front loader versatility. Maximum space utilization, increased productivity, operator comfort and safety are the primary benefits.

## STANDARD FEATURES

- 3,000 lb. (1,363kg) and 4,000 lb. (1,818kg) Capacity at 24" (600mm) Load Center
- Lift Heights to 360" (9.14M)
- 78" (1.98M) Stacking Aisle with 48" (1,200mm) Long Load
- High Visibility 3-Stage or 4-Stage Mast
- Integral 11.2" (285mm) Stroke Side Shifter and 36" (914mm) High Load Backrest
- Dual Inside / Outside Capability
- Articulated 42" (1,067mm) Wide Floating Front Axle
- Large Diameter Smooth Rubber Drive Tires
- Polyurethane Smooth Load Tires
- 180° Front-End DuraSteer™ Articulation / Steering Assembly with 5-Year Warranty
- Heavy Duty Dual Rear Wheel Planetary Drives
- AC Traction and Hydraulic Controllers
- Powerful AC Drive and Hydraulic Motors
- Comfortable Seated Operation with All Truck Controls in Easy Reach
- Full Diagnostic Intelligent Display with Battery Discharge Indicator and Hour Meter
- Adjustable Cloth Suspension Seat
- Armrest, Adjustable Steering Column, Key Switch, Horn, Seat Belt
- Hydraulic Power Steering
- 4-Post Heavy-Duty Adjustable Overhead Guard
- Safety Deadman Seat Switch
- Heavy Duty Unitized Robotic Welded Chassis Design
- Provisions for RF Terminals Provided
- Accepts Class II Attachments
- Easily Accessible Components for Low Cost Maintenance



## OPTIONAL FEATURES

- Non-Standard Fork Lengths
- LED Headlights, Flashing Light and Rear Safety Lights
- Integral Side Shifting Fork Positioner
- Auxiliary Hydraulics
- Non-Marking Tires
- UL-583, Type EE Electrical Rating, FM Approved
- Vinyl Seat
- Slide-Out Sideways Battery Tray
- Fire Extinguisher
- Lazer Fork Height Indicator
- Carriage Mounted Camera with Operator Compartment Monitor
- Capable of Freezer Operation to -22°F (-30°C)

## AISLE DIMENSIONS

LOAD DEPTH X WIDTH	MINIMUM CLEAR AISLE
40" x 48" (1,000 x 1,200mm)	70" (1,778mm)
48" x 40" (1,200 x 1,000mm)	78" (1,981mm)
Minimum Clear Transfer Aisle	108" (2,743mm)

**TOTAL**  
WAREHOUSE

www.totalwarehouse.com  
833-868-2500

# 4-Wheel Narrow Aisle Electric Mult-Purpose Articulating Forklift Truck



## TECHNICAL DATA

MODEL			B30AC	B40AC	
Capacity		at 24" (600mm) Load Center	lbs/kg	3,000 / 1,363	4,000 / 1,818
Weight		with Battery	lbs/kg	12,800 / 5,818	13,770 / 6,259
Travel Speed		Loaded	mph/kph	6.5 / 10.5	6.5 / 10.5
		Unloaded	mph/kph	7 / 11.3	7 / 11.3
Lift Speed		Loaded	fpm/mpm	90 / 27.4	90 / 27.4
		Unloaded	fpm/mpm	110 / 33.5	110 / 33.5
Lowering Speed		Loaded	fpm/mpm	100 / 30.4	100 / 30.4
		Unloaded	fpm/mpm	90 / 27.4	90 / 27.4
Mast Tilt		Fwd / Back - Up to 293" (7.44M)	deg	3 / 3	3 / 3
		Fwd / Back - 294" (7.46M) and Higher	deg	1 / 2	1 / 2
Lost Load Center	E		in/cm	12 / 30.5	12 / 30.5
Wheelbase	F		in/cm	63 / 160	63 / 160
Rear Overhang	G		in/cm	25 / 64	28 / 71
Overall Length Fork to Face	H	Mast Vertical	in/cm	100 / 254	103 / 262
Underclearance	I	Under Mast	in/cm	3 / 7.6	3 / 7.6
Operator Floor Height	J		in/cm	31 / 79	31 / 79
Overhead Guard Height	K		in/cm	87 / 221	87 / 221
Overhead Guard Width	L		in/cm	40 / 102	40 / 10
Overall Width	M		in/cm	43 / 109	48 / 122
Fork Carriage Width	N		in/cm	41 / 104	41 / 104
Fork Length	O		in/cm	40 / 102	40 / 102
Out to Out Fork Spread	P	Minimum / Maximum	in/cm	9.4-39.5 / 24-100	9.4-39.5 / 24-100
Battery Compartment Height	Q	Floor to Top of Battery Tray	in/cm	19 / 48	19 / 48
Right Angle Stacking Aisle		with 48"L x 40"W (1,200mm x 1,000mm) Load	in/cm	78 / 198	78 / 198
Intersecting Aisle		with 48"L x 40"W (1,200mm x 1,000mm) Load	in/cm	108 / 274	108 / 274
Gradeability		Loaded / Unloaded	%	15	15
Hydraulic Motor Rating		Continuous Duty Rating	type/kWh	12	12
Traction Motor Rating		Continuous Duty Rating	type/kWh	5.1 Ea / 10.2 Total	5.6 Ea / 11.2 Total
Traction Control Type		Induction		AC	AC
Hydraulic Control Type		Induction		AC	AC
Wheel Sizes		Front (2 Each) Smooth Poly-Dia x Face	in/cm	14x5 / 35.6x12.7	14x5 / 35.6x12.7
		Rear (2 Each) Smooth Rubber-Dia x Face	in/cm	18x7 / 45.7x17.8	18x7 / 45.7x17.8

## MAST DIMENSIONS

LIFT HEIGHT (A)		LOWERED HEIGHT (B)		FREE LIFT (C)		OVERALL HEIGHT (D)	
Inches	Meters	Inches	Meters	Inches	Meters	Inches	Meters
<b>Triple (3-Stage) Mast B30AC</b>							
188	4.78	83	2.11	47	1.19	224	5.69
198	5.03	87	2.21	51	1.30	234	5.94
216	5.49	95	2.41	59	1.50	252	6.40
223	5.66	98	2.49	62	1.57	259	6.58
242	6.15	107	2.72	71	1.80	278	7.06
258	6.55	115	2.92	79	2.01	294	7.47
272	6.91	121	3.07	85	2.16	308	7.82
<b>Quad (4-Stage) Mast B30AC and B40AC</b>							
250	6.35	87	2.21	51	1.30	286	7.26
258	6.55	89	2.26	53	1.35	294	7.47
276	7.01	95	2.41	59	1.50	312	7.92
294*	7.47	101	2.57	65	1.65	330	8.38
312*	7.92	107	2.72	71	1.80	348	8.84

LIFT HEIGHT (A)		LOWERED HEIGHT (B)		FREE LIFT (C)		OVERALL HEIGHT** (D)	
Inches	Meters	Inches	Meters	Inches	Meters	Inches	Meters
<b>Triple (3-Stage) Mast B40AC</b>							
188	4.78	83	2.11	47	1.19	224	5.69
198	5.03	87	2.21	51	1.30	234	5.94
216	5.49	95	2.41	59	1.50	252	6.40
223	5.66	98	2.49	62	1.57	259	6.58
242	6.15	107	2.72	71	1.80	278	7.06
258	6.55	115	2.92	79	2.01	294	7.47
272	6.91	121	3.07	85	2.16	308	7.82
296*	7.52	129	3.28	93	2.36	332	8.43
312*	7.92	132	3.35	96	2.44	348	8.84
323*	8.20	138	3.51	102	2.59	359	9.12
360*	9.14	156	3.96	120	3.05	396	10.06

\*Free Lift Based on 36" (914mm) High Load Backrest

\*\*Overall Height Based on 36" (914mm) High Load Backrest

\* Tilt Restricted to 1° Forward and 2° Backward

## RECOMMENDED BATTERIES

### BATTERY FOR B30AC - MINIMUM BATTERY WEIGHT IS 2,550 LBS. (1,159kg) - MAXIMUM WEIGHT IS 3,100 LBS. (1,409kg)

Battery Designation: 24-85-17, 48 Volt, 680 AHC, Nominal Size 27" x 38.5" x 22.625" (69 x 98 x 58cm)

Standard Truck Battery Compartment Size: 27.5" x 38.75" x 23" (70 x 98 x 58cm)

Leads are at Position C, 20" (51cm) Long, with SB 350 Amp Blue Connector

### BATTERY FOR B40AC - MINIMUM BATTERY WEIGHT IS 2,600 LBS. (1,181kg) - MAXIMUM WEIGHT IS 3,100 LBS. (1,409kg)

Battery Designation: 24-85-19, 48 Volt, 765 AHC, Nominal Size 25.9375" x 44.5625" x 22.625" (66 x 113 x 58cm)

Standard Truck Battery Compartment Size: 26" x 44.75" x 23" (66 x 114 x 58cm)

Leads are at Position A, 12" (30.5cm) Long, with SB 350 Amp Blue Connector

The specifications contained in this spec sheet are subject to change at any time without notice. Actual dimensions and performance data given herein may vary due to manufacturing tolerances.

# **LANDOLL, Quality Narrow Aisle Lift Trucks for Space Optimization**



**Dash Display with Full Diagnostics  
Battery Discharge Indicator and Hour Meter**



**Rear Controller Compartment  
and Counterweight**



**DuraSteer™ Front Wheel Steering**  
*\*Patented*



**Loading / Unloading**

**TOTAL**  
WAREHOUSE

[www.totalwarehouse.com](http://www.totalwarehouse.com)

833-868-2500