



**TOTAL**  
**WAREHOUSE**  
 www.totalwarehouse.com  
 833-868-2500

# J1 Joey

## Task Support Vehicle

### CAPACITY

- 1000 lbs. total vehicle capacity
- 300 lbs. operators compartment
  - 500 lbs. front work platform
  - 200 lbs. rear "hide away" tray

### WEIGHT

2268 lbs. Chassis Only

### WHEELS / TIRES

- DRIVE  
 (1)9" x 3" polyurethane
- STABILITY  
 (2)3" x 2" polyurethane
- LOAD  
 (2)8" x 3" polyurethane

### BATTERY

Compartment: 26.37" x 8.06" x open. Anderson 175 Gray—A-11

### SPEED

24 volt ZAPI ACO travel and EPS ACO power steering controller with dash board display

### TRAVEL

Variable from 0 mph to 3.4

### LIFT

Up to 42 fpm

### ELECTRICAL

AC controller manage travel, braking, lift/lower functions and steering. LCD dashboard displays, hour meter, battery state of charge, travel speed and drive wheel directional indicator.

AC drive motor provides high torque throughout the entire drive range. The brushless design of AC technology drastically reduces maintenance and extends battery range. Travel speed remains constant relative to throttle position regardless of the load on truck.

Programmable - travel speeds, plugging, and neutral braking are infinitely variable providing application specific performance.



### MAST

Heavy duty I-beam design provides excellent stability at height. Steel mast channels and side mounted lift cylinders increases platform capacity.

### CHASSIS

Three point chassis design with along with 180° drive motor steering arc provides exceptional maneuverability. Powerhead mounted stability casters add additional truck stability and operator confidence at working heights up to 16.9'.

### OPERATOR COMPARTMENT

Ergonomic fingertip control for travel, lift, and lower functions provide the operator with logical intuitive drive characteristics while traveling at elevation or lowered.

Roomy operator compartment is designed for productivity. Retractable compartment guard rails keep the operator secure.

### REGENERATIVE BRAKES

Regenerative braking is applied when the operator removes their hand from travel control or when travel speeds are reduced, Electromagnetic parking brake is applied after the truck is stopped.

### STANDARD FEATURES

- Electronic Power Steering
- Large Operators Compartment
- One Piece Powerhead Service Cover
- Hide Away Rear Work Tray
- Non-Marking Polyurethane Tires
- Front and Rear Flashing Light
- 4(6)V 224 Amp Hour AGM Maintenance Free Battery Pack with Built-In 110VAC 15 charger

### OPERATOR CONTROLS

Left Hand

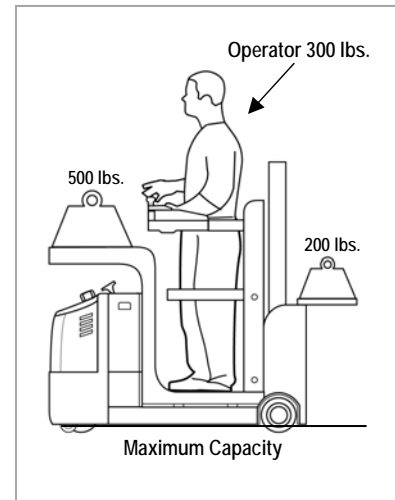
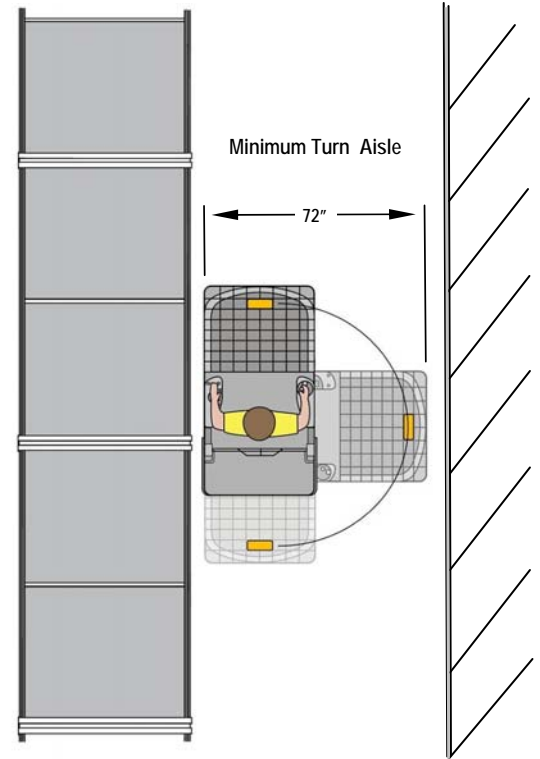
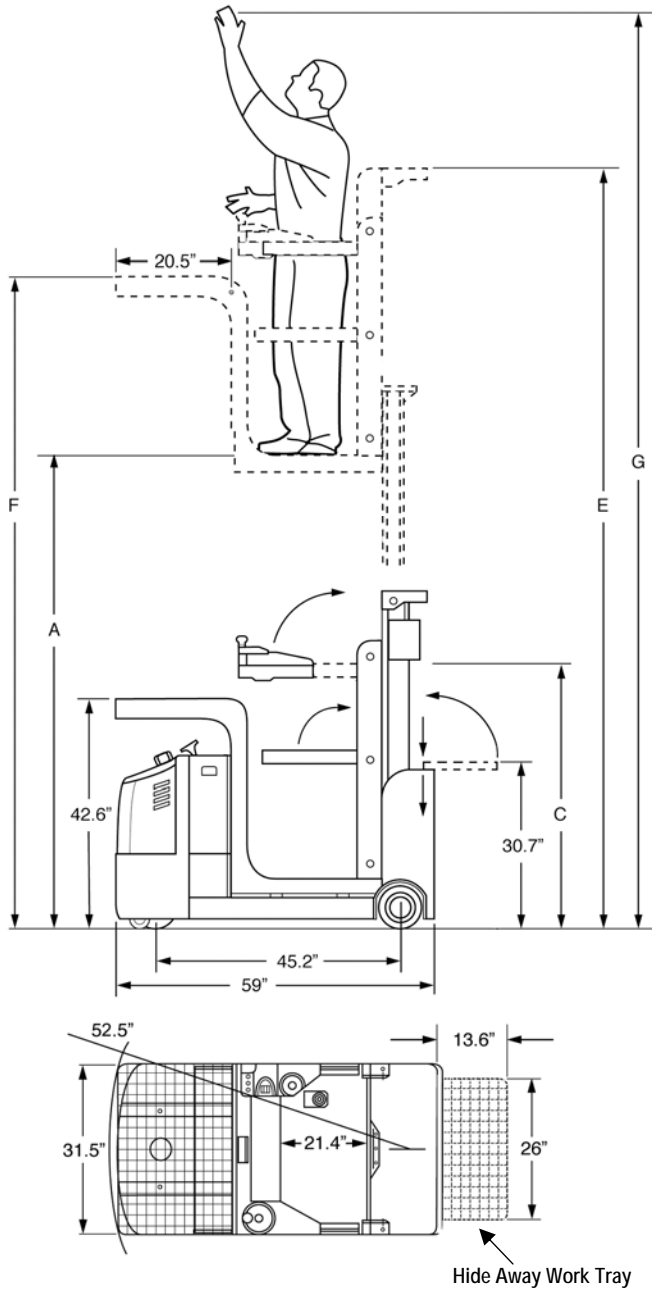


360°  
Tiller Steering

Right Hand



Travel, Lift, Lower, Key Switch and EPD Controls



Model #	Mast	Lift Height	Col Height	Extended Height	Load Tray Height	Working Height	Weight Chassis Only
		A	C	E	F	G	
<b>1000 Capacity = Personnel + Merchandise</b>							
J1-86	Telescopic	86	62.6	141.0	130.6	165	1950
J1-126	Triple Stage	126	62.6	178.6	168.5	203	2268