



TOTAL
WAREHOUSE

www.totalwarehouse.com
833-868-2500

P33

**Semi-Electric
Pallet Jack**

US Patent #D754,415

UPGRADE YOUR HAND PALLET TRUCK. SAFELY NEGOTIATE RAMPS AND INCLINES WITH POWER DRIVE AND ELECTRIC BRAKE.

CAPACITY

3300 lbs.

INTEGRAL BATTERY / CHARGER

24-volt 30AH maintenance free batteries with 110VAC plug-in automatic charger.

TRAVEL SPEED

24-volt transistor travel control with high efficiency permanent magnet drive motor.

Variable from 0 mph to 2.5 mph empty

Variable from 0 mph to 2.0 mph loaded

WEIGHT

308 lbs. with battery and charger

TIRES / WHEELS

DRIVE

8.3" x 2.8" polyurethane

LOAD

2.9" x 3.5" polyurethane

DRIVE

24-Volt permanent magnet DC drive motor with rare earth neodymium magnets increases efficiency and duty cycle.

BRAKES

Electromagnetic disc brake provides safe and secure stops under all conditions.

PUMP-UP LIFT TILLER ARM

Wrap-around hand guard, reversing switch, push button travel control, on/off switch, battery discharge indicator, and horn are standard. Low mounted tiller arm offers excellent operator comfort.

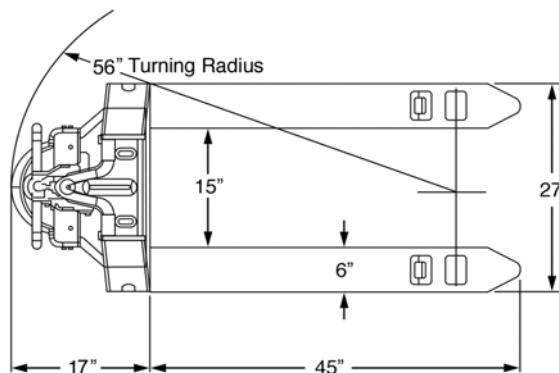
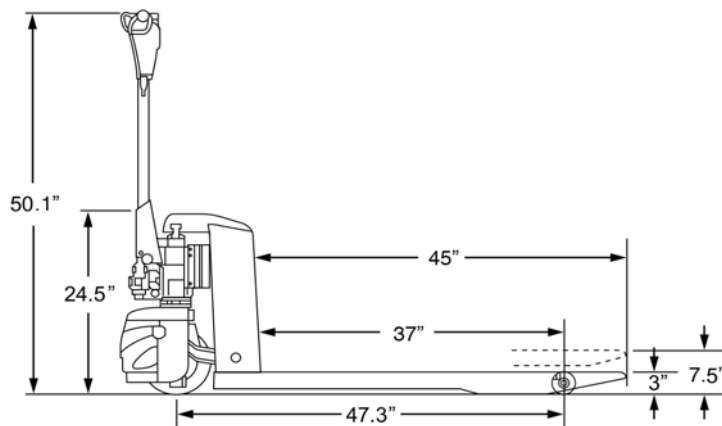
Three position hydraulic lever: Lifting, neutral, and lowering. Allows for safe controlled load placement. Handle return spring keeps operator handle to vertical position.

HYDRAULICS

Galvanized housing with sturdy construction. Precision welded pump assembly is fully sealed and features hardened chrome lift cylinder.

FRAME

Ridged reinforced steel C-channel construction. Durable powder coat paint.



TOTAL
WAREHOUSE

www.totalwarehouse.com
833-868-2500