



TOTAL
WAREHOUSE

www.totalwarehouse.com
833-868-2500

PDI

Power Drive Intermediate Straddle Trucks

This series has a short turning radius and 24V power making it an excellent choice for narrow aisles, tool rooms or street level loading.



CAPACITY

2000 lbs. at 24" load center

BATTERY

Two 12V poly-cased batteries connected in series, providing a 24V power source at 160AH

CHARGER

Internal automatic smart charger. Input: 120VAC-1Ø-60hz at 15A. Output: 25VAC at 25A. Supports gel, absorbed glass and flooded lead acid batteries.

PERFORMANCE

Curtis® transistor travel control

TRAVEL

Variable from 0 mph to 2.7 mph empty
Variable from 0 mph to 2.2 mph loaded

LIFT

Up to 34 fpm empty.
Up to 24 fpm loaded—2000 lbs

LOWERING

Up to 28 fpm empty.
Up to 56 fpm loaded—2000 lbs

CHASSIS WEIGHT

1475 lbs with batteries (max.)

TIRES

DRIVE WHEEL
9" x 3" polyurethane
LOAD WHEELS
4" x 2.75" polyurethane

CONTROL HANDLE "All Steel"

Designed to allow smooth operation with either hand. Protective wraparound hand guard, rubber hand grips, horn, "Belly Button" reversing switch, thumb and twist grip travel control are all standard.

HYDRAULICS

The dashboard mounted lift and lower lever allow uncomplicated and precise load placement. Infinitely variable ball-type lowering valve provides a full range of lowering speeds for optimum control.

Premium design lift cylinder provides smooth lifting and lowering and long life with minimal maintenance.

Full system filtration prevents contaminants from entering the hydraulic system. Pressure compensating flow control valve at base of lift cylinder regulates lowering speeds.

ELECTRICAL

All cables and wires are color coded and or numbered for easy service and tracing. Control circuits are fuse-protected, and use plug-in type connector.

Curtis® motor controller provides infinitely variable travel speeds with efficient use of battery power.

Hydraulic lift pump motor is specially designed for peak electrical efficiency at specific torque and rpm levels.

DRIVE SYSTEM and BRAKES

Compact, open frame 24V DC drive motor provides ample torque and RPM at low current and temperature levels.

Electric disc brake is mounted on the drive motor armature shaft utilizing the 25:1 gear ratio transmission to multiply the braking force for safe stopping performance.

The drive motor, transmission, brake and drive wheel are coupled to the control arm via pivot tube that provides the operator direct control of all drive functions.

The entire drive system is mounted within the truck frame for maximum protection.

ACCESSIBILITY

Removal of one piece power head cover exposes major components for inspection and maintenance.

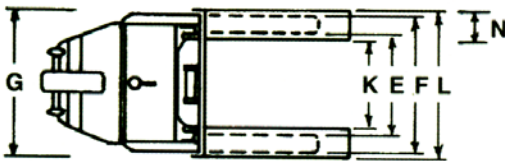
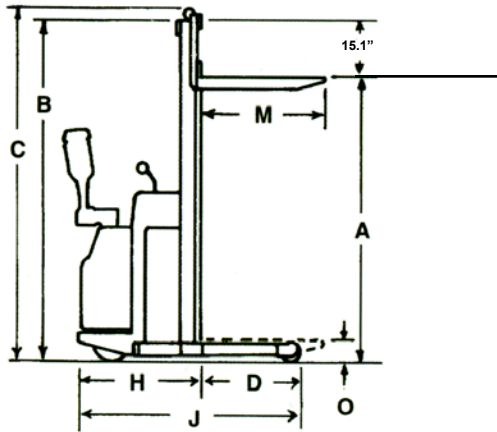
OPTIONAL EQUIPMENT

- Hour meter
- Battery discharge indicator (BDI)
- Key switch
- Lift lock out
- Remote lift/lower buttons in handle
- 36" wide fork carriage
- Cold conditioning
- Pallet centering device
- Maintenance free batteries
- Remote lift/lower box
- Adjustable straddle legs
- Rigid fork carriage
- 1500 lbs capacity

OPTIONAL ATTACHMENTS

- Boom with hook
- Die handler—manual
- Die handler—hydraulic
- Drum handler
- Order picking platform
- Paper roll handler
- Ram
- Removable load platform
- Roller bed

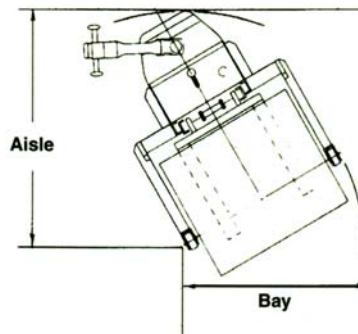
RIGID FORK MODELS



**Right Angle Stacking
Aisle Dimensions**

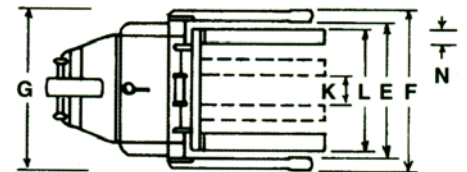
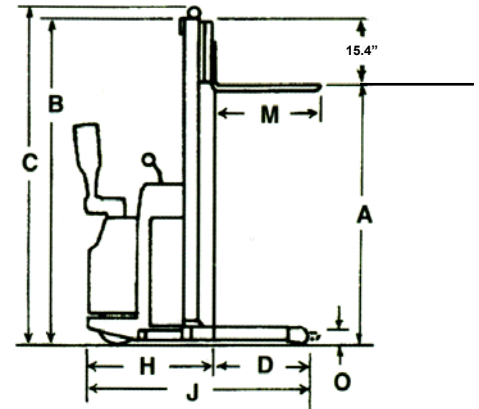
Load Length	Load Width			
	36"	40"	42"	48"
36"	66"	66"	68"	69"
42"	66"	66"	68"	69"
48"	80"	80"	79"	77"

- Aisle dimensions listed have zero clearance
- Add 12" for ease of use



Note: Aisle dimensions listed above assume the bay width to be straddle OD plus 2" (1" on each either side of straddle leg). Straddle OD is the load width plus 10"

**TELESCOPIC AND ADJUSTABLE
FORK MODELS**



Model #	Lift Height	¹ Col Height	Ext Height	Straddles Standard			Overall Width	Power Head Length	⁴ Overall Length	Turn Radius	Forks Dimensions					Ship Weight
				² Length	ID	OD					ID	OD	Length	Width	Lowered	
	A	B	C	D	E	F	G	H	J	K	L	M	N	O		
2000 Capacity @ 24" Load Center, (R) Rigid Fork Carriage, Non-Telescopic																
PDI-2024-R5	60	74.8	76	29.4	16.62	24.62	26	28.9	58.3	57	15.3	26	30	5.4	4.5	1175
PDI-2024-R6	72	86.8	88	29.4	16.62	24.62	26	28.9	58.3	57	15.3	26	30	5.4	4.5	1200
2000 Capacity @ 24" Load Center, (A) Adjustable Fork Carriage, Non-Telescopic																
PDI-2024-A5	57	74.8	76	29.9	26 or 42	34 or 50	34	31.4	61.3	60	6	24	42	4	1.75	1275
PDI-2024-A6	69	86.8	88	29.9	26 or 42	34 or 50	34	31.4	61.3	60	6	24	42	4	1.75	1300
PDI-2024-A7	81	98.8	100	29.9	26 or 42	34 or 50	34	31.4	61.3	60	6	24	42	4	1.75	1325
2000 Capacity @ 24" Load Center, Adjustable Fork Carriage, (T) Telescopic																
PDI-2024-T8	96	69	116	29.4	30 or 42	38 or 50	38	31.9	61.3	60	10.1	24	42	4	2.5	1375
PDI-2024-T9	108	75	128	29.4	30 or 42	38 or 50	38	31.9	61.3	60	10.1	24	42	4	2.5	1400
PDI-2024-T10	120	81	140	29.4	42	50	50	31.9	61.3	60	10.1	24	42	4	2.5	1425
PDI-2024-T11	132	87	152	29.4	42	50	50	31.9	61.3	60	10.1	24	42	4	2.5	1450
PDI-2024-T12	144	93	164	29.4	42	50	50	31.9	61.3	60	10.1	24	42	4	2.5	1475

¹ For adjustable straddles add 2.75" to the overall collapsed height

² To face of forks

³ Face of fork to end of load wheels

⁴ To end of load wheels.