



## Attachments for Slipsheet Applications.

### APPLICATIONS

These push/pulls are rugged, heavy duty attachments for high cycle slipsheet applications requiring high productivity with low maintenance. The Cascade dedicated push/pulls are the best performing and durable push/pull available.

### FEATURES

#### *High production slipsheet handling capabilities*

- High visibility pantograph, gripper jaw and faceplate
- Full bottom taper/adjustable platens
- 4° tilting faceplate
- Chamfered platen corners and gripper jaw design protects the slipsheet

#### *Strength and durability in demanding applications*

- High strength, rigid pantograph for safe load packing
- T-1 steel platens
- Protected hydraulics
- “Cushion” cylinders reduce operating noise
- Simplified hydraulic circuit

#### *Easy, versatile mounting*

- Sideshift J-plate is automatically engaged when the push/pull is set on the truck carriage
- No false carriage is required on quick disconnect models
- Sideshift feature provides 4 inches (100mm) of sideshift in each direction

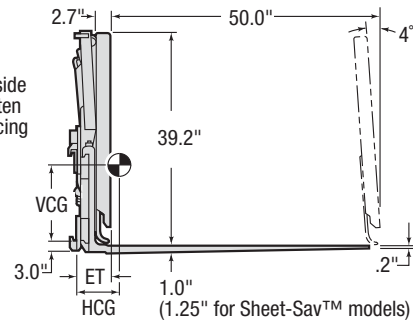
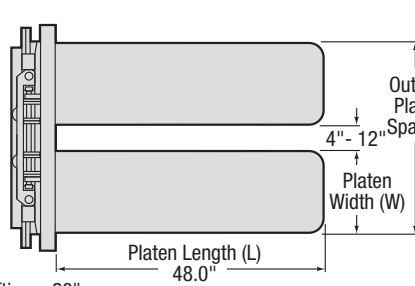
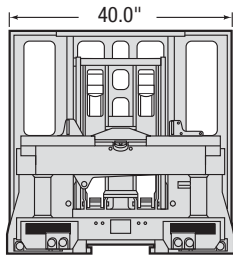
### OPTIONS

- Quick-change hydraulic couplers
- Quick-disconnect mounting
- Hydraulic flow control valve
- Extended height and width faceplates
- Extended push strokes
- Faceplate stop group
- Attachment mounted solenoid adaption group
- Optional platen sizes
- Forks and multiple fork groups
- Class III mounting (45E only)

*A rugged, heavy duty push/pull for general slip sheet applications.*



# 35E & 45E PUSH/PULL



Minimum carriage width non-sideshifting – 28"  
Minimum carriage width sideshifting – 36"

| Capacity<br>@ 24"<br>Load<br>Center | (606 mm) | Type                       | Platen<br>Size<br>WxL | Catalog<br>Order No. | Mtg.<br>Class/<br>Lower<br>Hook Type | Outside<br>Platen<br>Spacing | Weight |                 | Effective<br>Thickness<br>ET | Horizontal<br>Center of<br>Gravity<br>HCG | Vertical<br>Center of<br>Gravity<br>VCG |
|-------------------------------------|----------|----------------------------|-----------------------|----------------------|--------------------------------------|------------------------------|--------|-----------------|------------------------------|---|---|
|                                     |          |                            |                       |                      |                                      |                              | lbs    | kg              |                              |   |   |
| 3,500                               | 1,590    | Sideshifting Push/Pull     | 18" x 48"             | 35E-PPS-A001         | II Bolt-On                           | 40"-48"                      | 1,105  | 502             | 6.5"                         | 8.7"                                      | 8.8"                                    |
| 3,500                               | 1,590    | Sideshifting Push/Pull     | 18" x 48"             | 35E-PPS-Q002         | II Q.D.                              | 40"-48"                      | 1,105  | 502             | 6.5"                         | 8.7"                                      | 8.8"                                    |
| 3,500                               | 1,590    | Sideshifting Push/Pull     | 15" x 48"             | 35E-PPS-A003         | II Bolt-On                           | 34"-42"                      | 1,055  | 479             | 6.5"                         | 8.0"                                      | 9.3"                                    |
| 3,500                               | 1,590    | Sideshifting Push/Pull     | 15" x 48"             | 35E-PPS-Q004         | II Q.D.                              | 34"-42"                      | 1,055  | 479             | 6.5"                         | 8.0"                                      | 9.3"                                    |
| 3,500                               | 1,590    | Non-Sideshifting Push/Pull | 18" x 48"             | 35E-PPB-A001         | II Bolt-On                           | 40"-48"                      | 1,090  | 495             | 6.5"                         | 8.8"                                      | 8.8"                                    |
| 3,500                               | 1,590    | Non-Sideshifting Push/Pull | 18" x 48"             | 35E-PPB-Q002         | II Q.D.                              | 40"-48"                      | 1,090  | 495             | 6.5"                         | 8.8"                                      | 8.8"                                    |
| 3,500                               | 1,590    | Non-Sideshifting Push/Pull | 15" x 48"             | 35E-PPB-A003         | II Bolt-On                           | 34"-42"                      | 1,040  | 472             | 6.5"                         | 8.1"                                      | 9.4"                                    |
| 3,500                               | 1,590    | Non-Sideshifting Push/Pull | 15" x 48"             | 35E-PPB-Q004         | II Q.D.                              | 34"-42"                      | 1,040  | 472             | 6.5"                         | 8.1"                                      | 9.4"                                    |
| 3,500                               | 1,590    | Hyd. Adj. Platens & SS     | 18" x 48"             | 35E-PHS-A001         | II Bolt-On                           | 40"-48"                      | 1,115  | 506             | 6.5"                         | 8.7"                                      | 8.8"                                    |
| 3,500                               | 1,590    | Hyd. Adj. Platens & SS     | 18" x 48"             | 35E-PHS-Q002         | II Q.D.                              | 40"-48"                      | 1,115  | 506             | 6.5"                         | 8.7"                                      | 8.8"                                    |
| 3,500                               | 1,590    | Hyd. Adj. Platens & SS     | 15" x 48"             | 35E-PHS-A003         | II Bolt-On                           | 34"-42"                      | 1,065  | 484             | 6.5"                         | 8.0"                                      | 9.3"                                    |
| 3,500                               | 1,590    | Hyd. Adj. Platens & SS     | 15" x 48"             | 35E-PHS-Q004         | II Q.D.                              | 34"-42"                      | 1,065  | 484             | 6.5"                         | 8.0"                                      | 9.3"                                    |
| 3,500                               | 1,590    | Sideshifting Platens       |                       | 35E-PPJ              |                                      |                              |        | Consult Cascade |                              |   |   |
| 3,500                               | 1,590    | Sideshifting Load Push     | 18" x 48"             | 35E-PLS-A001         | II Bolt-On                           | 40"-48"                      | 1,005  | 456             | 6.5"                         | 9.1"                                      | 8.5"                                    |
| 3,500                               | 1,590    | Sideshifting Load Push     | 18" x 48"             | 35E-PLS-Q002         | II Q.D.                              | 40"-48"                      | 1,005  | 456             | 6.5"                         | 9.1"                                      | 8.5"                                    |
| 3,500                               | 1,590    | Sideshifting Load Push     | 15" x 48"             | 35E-PLS-A003         | II Bolt-On                           | 34"-42"                      | 955    | 434             | 6.5"                         | 8.3"                                      | 9.0"                                    |
| 3,500                               | 1,590    | Sideshifting Load Push     | 15" x 48"             | 35E-PLS-Q004         | II Q.D.                              | 34"-42"                      | 955    | 434             | 6.5"                         | 8.3"                                      | 9.0"                                    |
| 3,500                               | 1,590    | Non-Sideshifting Load Push | 18" x 48"             | 35E-PLB-A001         | II Bolt-On                           | 40"-48"                      | 990    | 450             | 6.5"                         | 9.2"                                      | 8.6"                                    |
| 3,500                               | 1,590    | Non-Sideshifting Load Push | 18" x 48"             | 35E-PLB-Q002         | II Q.D.                              | 40"-48"                      | 990    | 450             | 6.5"                         | 9.2"                                      | 8.6"                                    |
| 3,500                               | 1,590    | Non-Sideshifting Load Push | 15" x 48"             | 35E-PLB-A003         | II Bolt-On                           | 34"-42"                      | 940    | 427             | 6.5"                         | 8.4"                                      | 9.1"                                    |
| 3,500                               | 1,590    | Non-Sideshifting Load Push | 15" x 48"             | 35E-PLB-Q004         | II Q.D.                              | 34"-42"                      | 940    | 427             | 6.5"                         | 8.4"                                      | 9.1"                                    |
| 4,500                               | 2,045    | Sideshifting Push/Pull     | 18" x 48"             | 45E-PPS-A001         | II Bolt-On                           | 40"-48"                      | 1,135  | 515             | 6.5"                         | 9.1"                                      | 8.5"                                    |
| 4,500                               | 2,045    | Sideshifting Push/Pull     | 18" x 48"             | 45E-PPS-Q002         | II Q.D.                              | 40"-48"                      | 1,135  | 515             | 6.5"                         | 9.1"                                      | 8.5"                                    |
| 4,500                               | 2,045    | Sideshifting Push/Pull     | 15" x 48"             | 45E-PPS-A003         | II Bolt-On                           | 34"-42"                      | 1,080  | 490             | 6.5"                         | 8.3"                                      | 9.0"                                    |
| 4,500                               | 2,045    | Sideshifting Push/Pull     | 15" x 48"             | 45E-PPS-Q004         | II Q.D.                              | 34"-42"                      | 1,080  | 490             | 6.5"                         | 8.3"                                      | 9.0"                                    |
| 4,500                               | 2,045    | Non-Sideshifting Push/Pull | 18" x 48"             | 45E-PPB-A001         | II Bolt-On                           | 40"-48"                      | 1,120  | 509             | 6.5"                         | 9.2"                                      | 8.6"                                    |
| 4,500                               | 2,045    | Non-Sideshifting Push/Pull | 18" x 48"             | 45E-PPB-Q002         | II Q.D.                              | 40"-48"                      | 1,120  | 509             | 6.5"                         | 9.2"                                      | 8.6"                                    |
| 4,500                               | 2,045    | Non-Sideshifting Push/Pull | 15" x 48"             | 45E-PPB-A003         | II Bolt-On                           | 34"-42"                      | 1,065  | 484             | 6.5"                         | 8.4"                                      | 9.1"                                    |
| 4,500                               | 2,045    | Non-Sideshifting Push/Pull | 15" x 48"             | 45E-PPB-Q004         | II Q.D.                              | 34"-42"                      | 1,065  | 484             | 6.5"                         | 8.4"                                      | 9.1"                                    |
| 4,500                               | 2,045    | Hyd. Adj. Platens & SS     | 18" x 48"             | 45E-PHS-A001         | II Bolt-On                           | 40"-48"                      | 1,142  | 519             | 6.5"                         | 9.1"                                      | 8.5"                                    |
| 4,500                               | 2,045    | Hyd. Adj. Platens & SS     | 18" x 48"             | 45E-PHS-Q002         | II Q.D.                              | 40"-48"                      | 1,142  | 519             | 6.5"                         | 9.1"                                      | 8.5"                                    |
| 4,500                               | 2,045    | Hyd. Adj. Platens & SS     | 15" x 48"             | 45E-PHS-A003         | II Bolt-On                           | 34"-42"                      | 1,090  | 495             | 6.5"                         | 8.3"                                      | 9.0"                                    |
| 4,500                               | 2,045    | Hyd. Adj. Platens & SS     | 15" x 48"             | 45E-PHS-Q004         | II Q.D.                              | 34"-42"                      | 1,090  | 495             | 6.5"                         | 8.3"                                      | 9.0"                                    |
| 4,500                               | 2,045    | Sideshifting Platens       |                       | 45E-PPJ              |                                      |                              |        | Consult Cascade |                              |   |   |
| 4,500                               | 2,045    | Sideshifting Load Push     | 18" x 48"             | 45E-PLS-A001         | II Bolt-On                           | 40"-48"                      | 1,035  | 470             | 6.5"                         | 9.5"                                      | 8.2"                                    |
| 4,500                               | 2,045    | Sideshifting Load Push     | 18" x 48"             | 45E-PLS-Q002         | II Q.D.                              | 40"-48"                      | 1,035  | 470             | 6.5"                         | 9.5"                                      | 8.2"                                    |
| 4,500                               | 2,045    | Sideshifting Load Push     | 15" x 48"             | 45E-PLS-A003         | II Bolt-On                           | 34"-42"                      | 980    | 445             | 6.5"                         | 8.7"                                      | 8.8"                                    |
| 4,500                               | 2,045    | Sideshifting Load Push     | 15" x 48"             | 45E-PLS-Q004         | II Q.D.                              | 34"-42"                      | 980    | 445             | 6.5"                         | 8.7"                                      | 8.8"                                    |
| 4,500                               | 2,045    | Non-Sideshifting Load Push | 18" x 48"             | 45E-PLB-A001         | II Bolt-On                           | 40"-48"                      | 1,020  | 463             | 6.5"                         | 9.6"                                      | 8.3"                                    |
| 4,500                               | 2,045    | Non-Sideshifting Load Push | 18" x 48"             | 45E-PLB-Q002         | II Q.D.                              | 40"-48"                      | 1,020  | 463             | 6.5"                         | 9.6"                                      | 8.3"                                    |
| 4,500                               | 2,045    | Non-Sideshifting Load Push | 15" x 48"             | 45E-PLB-A003         | II Bolt-On                           | 34"-42"                      | 965    | 438             | 6.5"                         | 8.8"                                      | 8.8"                                    |
| 4,500                               | 2,045    | Non-Sideshifting Load Push | 15" x 48"             | 45E-PLB-Q004         | II Q.D.                              | 34"-42"                      | 965    | 438             | 6.5"                         | 8.8"                                      | 8.8"                                    |

Ⓜ This base unit is equipped with two solenoids and may be controlled with a single auxiliary valve on the truck. **IMPORTANT:** Solenoid voltage must match truck voltage. This unit is equipped with 12 volt solenoid. if you require a different voltage, please specify at time of order entry.

► Sideshifting Push/Pulls sideshift 4 inches either side of center.

Cascade Corporation • PO Box 20187 • Portland, OR 97294-0187 • USA • 800 CASCADE (227.2233) • Tel 503.669.6257 • Fax 800.693.3768 • Fax 503.669.6367  
Cascade Canada Ltd. • 5570 Timberlea Blvd. • Mississauga, Ontario L4W 4M6 • Canada • 800.380.2272 • Tel 905.629.7777 • Fax 905.629.7785