

TOTAL WAREHOUSE

VNA ELECTRIC EQUIPMENT DAILY CHECKLIST

DATE	<input type="text"/>	INSPECTED BY	<input type="text"/>
MAKE	<input type="text"/>	MODEL	<input type="text"/>
HOUR	<input type="text"/>	VOLTAGE	<input type="text"/>
		S/N#	<input type="text"/>

MARK BOX If NO PROBLEMS Visible. KEEP UNMARKED and WRITE IN Comment if PROBLEMS ARE PRESENT.

VISUAL INSPECTION

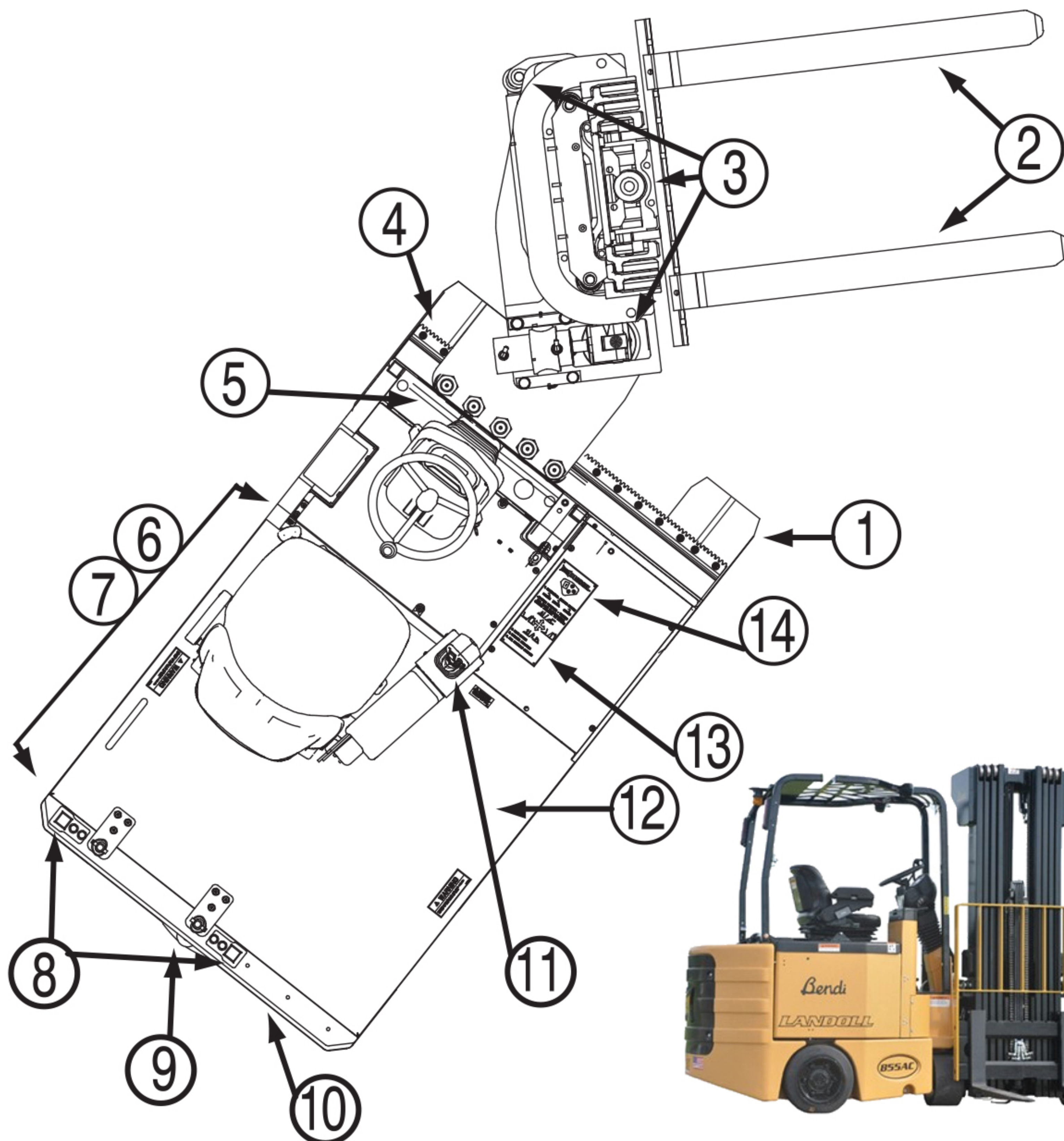
Comments

1. Tires (Left) _____
2. Forks, Retaining Pin & Heel _____
3. Hydraulic Cylinders _____
4. Tires (Right) _____
5. Dash Display _____
6. Battery _____
 Vent Caps _____
 Water Level _____
7. Battery Restraint System _____
8. Overhead Gaurd _____
9. Tires (Rear) _____
10. Static Straps _____
11. Check Contols _____
 Lift/Lower _____
 Tilt _____
 Side Shift _____
 Pivot _____
 Directional Switch _____
 Speed Selection Switch _____
 Attachment Switch _____
12. Hydraulic Oil _____
13. Safety Warnings _____
14. Capacity Plate _____

OPERATIONAL INSPECTION

Comments

- A. Investigate Unusual Noises _____
- B. Check Parking Brake _____
- C. Check Service Brake _____
- D. Check Pivot Arm Racking _____
- E. Check Mast Racking _____
- F. Check Accelerator _____
- G. Check Return-to-Neutral _____
- H. Check Seat Switch _____
- I. Check Horn _____
- J. Check Lights & Alarms _____
- K. Check Steering _____
- L. Check Seat Lumbar Side & Pivot _____
- M. Check Seat Belt, Buckle & Retractors _____



SIGNATURE: _____

All comments made in reference to any problems should be made on the back of this page in detail and handed to the supervisor immediately.

CAUTION: This is not a complete list of all items which may require attention. Operators are responsible for ensuring that the lift truck is in proper working condition in accordance with the manufacturer's specifications.

DO NOT operate lift truck if a problem is detected. Report all problems to the service department immediately.

TO BE COMPLETED BY DESIGNATED OPERATOR & FORWARDED TO SUPERVISOR PRIOR TO SHIFT