

Specifications

Models	Z-30/20N DC		Z-30/20N RJ DC	
Measurements	US	Metric	US	Metric
Working height maximum*	36 ft	11.14 m	35 ft 2 in	10.89 m
Platform height maximum	30 ft	9.14 m	29 ft 2 in	8.89 m
Horizontal reach maximum	21 ft 5 in	6.53 m	20 ft 6 in	6.25 m
Up and over clearance maximum	12 ft 8 in	3.86 m	12 ft 8 in	3.86 m
A Platform length	2 ft 6 in	0.76 m	2 ft 6 in	0.76 m
B Platform width	3 ft 10 in	1.17 m	3 ft 10 in	1.17 m
C Height - stowed	6 ft 6.5 in	2 m	6 ft 6.5 in	2 m
D Length - stowed	16 ft 9 in	5.11 m	17 ft 5 in	5.31 m
E Storage height	6 ft 7 in	2.08 m	7 ft 4 in	2.24 m
F Storage length	11 ft 6 in	3.5 m	12 ft	3.66 m
G Width	3 ft 11 in	1.19 m	3 ft 11 in	1.19 m
H Wheelbase	5ft 2 in	1.58m	5ft 2 in	1.58m
A Ground clearance - center	3.5 in	0.09 m	3.5 in	0.09 m

Productivity

Lift capacity	500 lb	227 kg	500 lb	227 kg
Platform rotation	180°		180°	
Vertical jib rotation	139°		139°	
Horizontal jib rotation	—		180°	
Turntable rotation	355° non-continuous		355° non-continuous	
Turntable tailswing	zero		zero	
Drive speed - stowed	3.0 mph	4.8 km/h	3.0 mph	4.8 km/h
Drive speed - raised**	0.68 mph	1.1 km/h	0.68 mph	1.1 km/h
Gradeability - stowed***	35%		35%	
Turning radius - inside	5 ft 5 in	1.65 m	5 ft 5 in	1.65 m
Turning radius - outside	10 ft 7 in	3.23 m	10 ft 7 in	3.23 m
Controls	24 V DC proportional		24 V DC proportional	
Tires - solid non-marking	22x7x17.75 in	.56x.18x.45 m	22x7x17.75 in	.56x.18x.45 m

Power

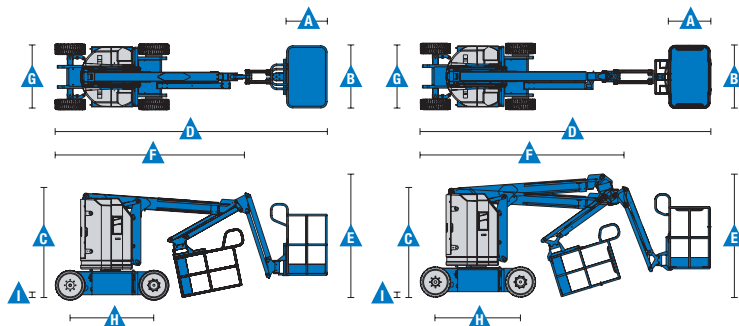
Power source	48 V DC (eight 6 V batteries 350 Ah capacity)	48 V DC (eight 6 V batteries 350 Ah capacity)
Auxiliary power unit	24 V DC	24 V DC
Hydraulic tank capacity	4 gal	15.1 L

Weight****

	14,170 lb	6,428 kg	14,220 lb	6,450 kg
--	-----------	----------	-----------	----------

Standards Compliance

ANSI A92.5, CSA B354.4, EN 280, AS 1418.10



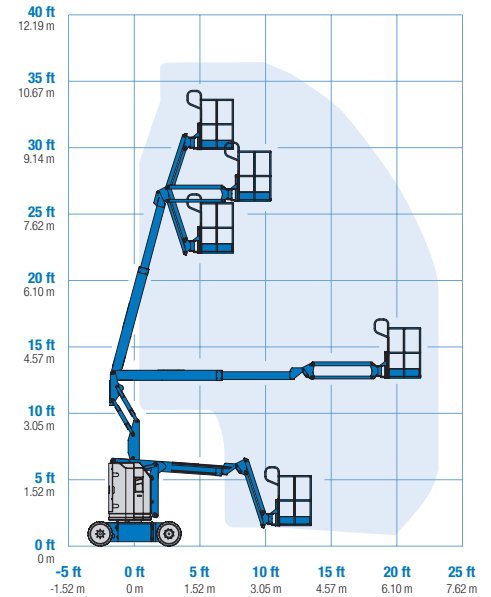
* The metric equivalent of working height adds 2 m to platform height. U.S. adds 6 ft to platform height.

** In lift mode *(platform raised), the machine is designed to operate on firm, level surfaces only.

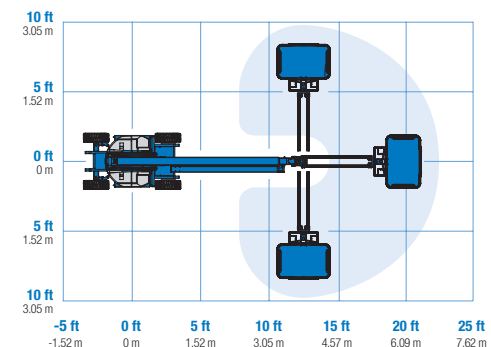
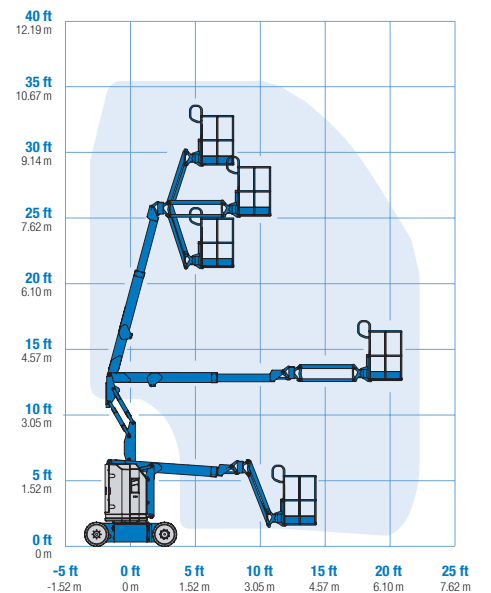
*** Gradeability applies to driving on slopes. See operator's manual for details regarding slope ratings.

**** Weight will vary depending on options and/or country standards.

Range Of Motion Z-30/20N



Range Of Motion Z-30/20N RJ



Features

Standard Features	Easily Configured To Meet Your Needs	Options & Accessories
<p>Measurements</p> <p>Z-30/20N</p> <ul style="list-style-type: none"> • 36 ft (11.14 m) working height • 21 ft 5 in (6.53 m) horizontal reach • 12 ft 8 in (3.86 m) up and over clearance • Up to 500 lb (227 kg) lift capacity <p>Z-30/20N RJ</p> <ul style="list-style-type: none"> • 35 ft 2 in (10.89 m) working height • 20 ft 6 in (6.25 m) horizontal reach • 12 ft 8 in (3.86 m) up and over clearance • Up to 500 lb (227 kg) lift capacity <p>Productivity</p> <ul style="list-style-type: none"> • 4 ft (1.22 m) jib boom with 139° working range • Self-leveling platform • Hydraulic platform rotation • Proportional joystick controls • Thumb rocker steer • Drive enable • AC power cord to platform • Alarm package: flashing beacon and travel alarm • Horn • Hour meter • Tilt alarm • Descent alarm • Zero tailswing and front arm swing • 355° non-continuous turntable rotation • Lift Guard™ Contact Alarm • Dual parallelogram for vertical wall tracking <p>Power</p> <ul style="list-style-type: none"> • 48 V DC deep cycle battery pack • 24 V DC auxiliary power • Universal 30A battery smart charger 	<p>Platform</p> <ul style="list-style-type: none"> • Steel 3 ft 10 in (1.17 m) with sliding mid-rail <p>Jib Options</p> <ul style="list-style-type: none"> • 4 ft (1.22 m) jib boom • 4 ft (1.22 m) horizontal rotating jib boom <p>Power</p> <ul style="list-style-type: none"> • 48 V DC power source <p>Drive</p> <ul style="list-style-type: none"> • 2WD <p>Tire</p> <ul style="list-style-type: none"> • Solid rubber non-marking 	<p>Productivity</p> <ul style="list-style-type: none"> • Platform swing gate • Lift Guard Platform Mesh - Half • Lift Guard Platform Mesh - Full • Platform top auxiliary rail • Air line to platform • Specialty hydraulic oil (cold weather, fire resistant or biodegradable) • Aircraft protection package (Not available on RJ model)* • Hostile environment kit • Fluorescent tube caddy ** • Pipe cradle (pair) ** • Light package • Lockable platform control box cover <p>Power</p> <ul style="list-style-type: none"> • AGM batteries • EE UL583 Fire Protection rating • Battery charge indicator (BCI) • Low voltage interrupt with BCI • 800 watt 120VAC power inverter <p>* Reduces platform weight capacity to 440 lb ** Available through aftermarket parts only</p>



TOTAL
WAREHOUSE

www.totalwarehouse.com
833-868-2500