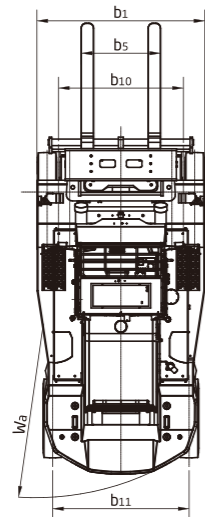
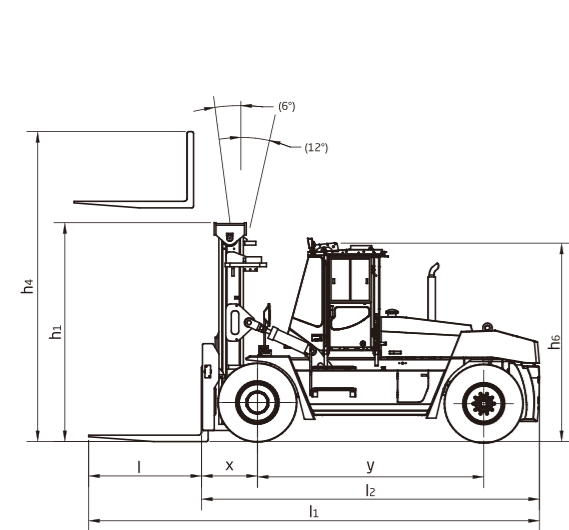
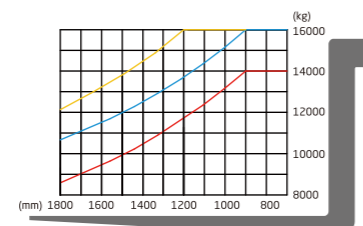


Heavy IC Forklift Truck

| Distinguishing mark | 1.1 | HANGCHA GROUP CO.,LTD. | | | | | | | | | | |
|---------------------|---|--|------------------------|--------------------|---------------------|--------------------|---------------------|--------------------|---------------------|--------------------|--------------------|--|
| | 1.2 | CPCD140-W25 | CPCD140-W49 | CPCD160-W25 | CPCD160-W49 | CPCD160-AW25 | CPCD160-AW49 | CPCD180-W25 | CPCD180-W49 | Diesel | | |
| | 1.3 | Diesel | Diesel | Diesel | Diesel | Diesel | Diesel | Diesel | Diesel | Diesel | | |
| 1.4 | Operator type: hand, pedestrian, standing, seated, order-picker | Seated | Seated | Seated | Seated | Seated | Seated | Seated | Seated | Seated | | |
| 1.5 | Rated capacity/rated load | Q (kg) | 14000 | 14000 | 16000 | 16000 | 16000 | 16000 | 18000 | 18000 | | |
| 1.6 | Load centre distance | c (mm) | 900 | 900 | 900 | 900 | 1200 | 1200 | 900 | 900 | | |
| 1.8 | Load distance, centre of drive axle to fork | x (mm) | 900 | 900 | 900 | 900 | 900 | 900 | 900 | 900 | | |
| 1.9 | Wheelbase | y (mm) | 3650 | 3650 | 3650 | 3650 | 3750 | 3750 | 3750 | 3750 | | |
| Weight | 2.1 | Service Weight | kg | 23100 | 23100 | 24600 | 24600 | 25400 | 25400 | 25300 | 25300 | |
| | 3.1 | Tyres: solid rubber, superelastic, pneumatic, polyurethane | Pneumatic | Pneumatic | Pneumatic | Pneumatic | Pneumatic | Pneumatic | Pneumatic | Pneumatic | Pneumatic | |
| Wheels, Chassis | 3.2 | Tyre size, front | 12.00-24-20PR | | | | | | | | | |
| | 3.3 | Tyre size, rear | 12.00-24-20PR | | | | | | | | | |
| | 3.5 | wheels, number front rear (x = driven wheels) | 4x/2 | 4x/2 | 4x/2 | 4x/2 | 4x/2 | 4x/2 | 4x/2 | 4x/2 | 4x/2 | |
| | 3.6 | Tread, front | b10 (mm) | 2013 | 2013 | 2013 | 2013 | 2013 | 2013 | 2013 | 2013 | |
| | 3.7 | Tread, rear | b11 (mm) | 2200 | 2200 | 2200 | 2200 | 2200 | 2200 | 2200 | 2200 | |
| | 4.1 | Tilt of mast/fork carriage forward/backward | α/β(°) | 6/12 | 6/12 | 6/12 | 6/12 | 6/12 | 6/12 | 6/12 | 6/12 | |
| Dimensions | 4.2 | Height, mast lowered | h1 (mm) | 3500 | 3500 | 3500 | 3500 | 3500 | 3500 | 3500 | 3500 | |
| | 4.4 | Lift | h3 (mm) | 3300 | 3300 | 3000 | 3000 | 3000 | 3000 | 3000 | 3000 | |
| | 4.5 | Height, mast extended | h4 (mm) | 5150 | 5150 | 5000 | 5000 | 5000 | 5000 | 5000 | 5000 | |
| | 4.7 | Height of overhead guard | h6 (mm) | 3240 | 3240 | 3240 | 3240 | 3240 | 3240 | 3240 | 3240 | |
| | 4.19 | Overall length | l1 (mm) | 7268 | 7268 | 7268 | 7268 | 7960 | 7980 | 7368 | 7368 | |
| | 4.20 | Length to face of forks | l2 (mm) | 5448 | 5448 | 5448 | 5448 | 5520 | 5540 | 5548 | 5548 | |
| | 4.21 | Overall width | b1 (mm) | 2706 | 2706 | 2706 | 2706 | 2706 | 2706 | 2706 | 2706 | |
| | 4.22 | Fork dimensions ISO 2331 | s/e/l (mm) | 1820x200x105 | 1820x200x105 | 1820x200x105 | 1820x200x105 | 2440x250x105 | 1820x250x105 | 1820x250x105 | 1820x250x105 | |
| | 4.25 | Distance between fork-arms | bs (mm) | 820/2400 | 820/2400 | 820/2400 | 820/2400 | 820/2400 | 820/2400 | 820/2400 | 820/2400 | |
| | 4.31 | Ground clearance, laden, below mast | m1 (mm) | 250 | 250 | 250 | 250 | 250 | 250 | 250 | 250 | |
| | 4.32 | Ground clearance, centre of wheelbase | m2 (mm) | 320 | 320 | 320 | 320 | 320 | 320 | 320 | 320 | |
| | 4.35 | Turning radius | Wa (mm) | 4980 | 4980 | 4980 | 4980 | 5100 | 5100 | 5100 | 5100 | |
| Performance Data | 5.1 | Travel speed, laden/unladen | km/h | 22.5/26 | 22/25 | 22.5/26 | 22/25 | 22.5/26 | 22/25 | 22/25.5 | 21.5/25 | |
| | 5.2 | Lift speed, laden/unladen | m/s | 0.31/0.34 | 0.30/0.33 | 0.31/0.34 | 0.30/0.33 | 0.31/0.34 | 0.30/0.33 | 0.29/0.32 | 0.28/0.31 | |
| | 5.5 | Drawbar pull, laden/unladen | N | 125000/- | 125000/- | 125000/- | 125000/- | 125000/- | 125000/- | 125000/- | 125000/- | |
| | 5.7 | Gradeability, laden/unladen | % | 30/- | 30/- | 20/- | 20/- | 20/- | 20/- | 20/- | 20/- | |
| | 5.10 | Service brake | Wet Disc Brake System | | | | | | | | | |
| | Parking brake | Spring Applied, Hydraulic release multidisc brake | | | | | | | | | | |
| Combustion-engine | 7.1 | Engine manufacturer/type | CUMMINS/QSB6.7-C190 | CUMMINS/QSB6.7-200 | CUMMINS/QSB6.7-C190 | CUMMINS/QSB6.7-200 | CUMMINS/QSB6.7-C190 | CUMMINS/QSB6.7-200 | CUMMINS/QSB6.7-C190 | CUMMINS/QSB6.7-200 | CUMMINS/QSB6.7-200 | |
| | | Emission STD | Stage3/Tier3 | Stage III B | Stage3/Tier3 | Stage III B | Stage3/Tier3 | Stage III B | Stage3/Tier3 | Stage III B | Stage III B | |
| | 7.2 | Engine power according to DIN ISO 1585 | kw | 142 | 149 | 142 | 149 | 142 | 149 | 142 | 149 | |
| | 7.3 | Rated speed | min | 2300 | 2200 | 2300 | 2200 | 2300 | 2200 | 2300 | 2200 | |
| | 7.4 | Number of cylinders/displacement | (-)/(cm ³) | 6/6700 | 6/6700 | 6/6700 | 6/6700 | 6/6700 | 6/6700 | 6/6700 | 6/6700 | |
| | 7.10 | Battery voltage/nominal capacity | V/Ah | 2x12/120 | | | | | | | | |
| | | Rated torque | N.m/r/min | 930/1500 | 929/1400 | 930/1500 | 929/1400 | 930/1500 | 929/1400 | 930/1500 | 929/1400 | |
| | | Bore x stroke | mm | 107x124 | | | | | | | | |
| Additional data | 10.1 | Operating pressure for attachments | bar | 210 | | | | | | | | |



LOAD CHART



14.0-18.0t Forklift Mast Specification

| Type | Model | Max. fork height | Overall height | | Tilt range | | Capacity load capacity at 900mm Double tire |
|----------------|--------|------------------|----------------|---------------------------|------------|-----|---|
| | | | Lowered | Extended With backrest | FWD | RWD | |
| Wide view mast | G140MX | mm | mm | mm | (°) | (°) | kg |
| | | 3300 | 3500 | 5150 | 6 | 12 | 14000 |
| | | 3600 | 3650 | 5450 | 6 | 12 | 14000 |
| | | 4000 | 3850 | 5850 | 6 | 12 | 14000 |
| | | 4300 | 4050 | 6200 | 6 | 12 | 14000 |
| | | 4500 | 4150 | 6400 | 6 | 12 | 14000 |
| | | 4800 | 4300 | 6700 | 6 | 6 | 14000 |
| | | 5000 | 4400 | 6900 | 6 | 6 | 14000 |
| | | 5500 | 4700 | 7450 | 3 | 6 | 12500 |
| | | 6000 | 4950 | 7950 | 3 | 6 | 11500 |
| Wide view mast | G160MX | 3000 | 3500 | 5000 | 6 | 12 | 16000 |
| | | 3300 | 3650 | 5300 | 6 | 12 | 16000 |
| | | 3600 | 3800 | 5600 | 6 | 12 | 16000 |
| | | 4000 | 4000 | 6000 | 6 | 12 | 16000 |
| | | 4300 | 4200 | 6350 | 6 | 12 | 16000 |
| | | 4500 | 4300 | 6550 | 6 | 12 | 16000 |
| | | 4800 | 4450 | 6850 | 6 | 6 | 16000 |
| | | 5000 | 4550 | 7050 | 6 | 6 | 16000 |
| | | 5500 | 4850 | 7600 | 3 | 6 | 14500 |
| | | 6000 | 5100 | 8100 | 3 | 6 | 13500 |
| Wide view mast | G180MX | 3000 | 3500 | 5000 | 6 | 12 | 18000 |
| | | 3300 | 3650 | 5300 | 6 | 12 | 18000 |
| | | 3600 | 3800 | 5600 | 6 | 12 | 18000 |
| | | 4000 | 4000 | 6000 | 6 | 12 | 18000 |
| | | 4300 | 4200 | 6350 | 6 | 12 | 18000 |
| | | 4500 | 4300 | 6550 | 6 | 12 | 18000 |
| | | 4800 | 4450 | 6850 | 6 | 6 | 18000 |
| | | 5000 | 4550 | 7050 | 6 | 6 | 18000 |
| | | 5500 | 4850 | 7600 | 3 | 6 | 16500 |
| | | 6000 | 5100 | 8100 | 3 | 6 | 15500 |



Heavy IC Forklift Truck

with capacities of 14,000 to 18,000kg

SFC **TOTAL**
HANGCHA WAREHOUSE
www.totalwarehouse.com
833-868-2500



HANGCHA GROUP CO., LTD. reserves the right to make any changes without notice concerning colors, equipment, or specifications detailed in this brochure, or to discontinue individual models. The colors of trucks, delivered may differ slightly from those in brochures.

The World of Hangcha

TOTAL
WAREHOUSE
www.totalwarehouse.com
833-868-2500



Heavy IC Forklift Truck

Environment/
Efficiency/
Economy



Power System

/ Cummins turbocharger 6 cylinders engine, high performance, low energy consumption, low speed with high torque, great power reserve.

Hydraulic System

/ The main hydraulic components like the control valves, variable pump are products of Rexroth.

Transmission System

/ ZF micro controller with 3 stage power-shift is to make sure the high reliability. German Kessler heavy load drive axle, with two stage speed adjust, muti-disc wet service brake system, is fully enclosed system with maintenance free.

Steering System

/ Transverse steering axle with full hydraulic steering and sensor system is to make sure easy steering.



Cabin

/ Tilting cabin is easy to daily service, and the wide view mast, high positioned seat provide good front visibility to operator.

Standard Specification

- / Heater and air conditioner
- / Hour meter
- / Bracket of light
- / Cabin
- / Traction pin
- / Headlight
- / Horn
- / Mirror
- / Toolbox
- / Forks
- / Charge indicator
- / Combination rear light
- / Pre-heat indication
- / Wide view duplex mast
- / 4 Sec. multi-way valve
- / Hydraulic power steering
- / Rubber pedal
- / Dipstick
- / Air cleaner
- / Adjustable steering wheel
- / Tilt cylinder self-locking valve
- / Side roller
- / Mast lift speed limited valve

Options

- / 2.5-6.0m duplex mast
- / Special carriage and backrest
- / Solid tyre
- / Other dimension forks
- / Other attachment
- / Fire extinguisher
- / Suspension seat
- / Dual air cleaner or special air cleaner
- / Rear working light
- / Customer painting

