

# TOTAL WAREHOUSE

## INSTALLATION INSTRUCTIONS FOR PALLET RACK

### STEP 1

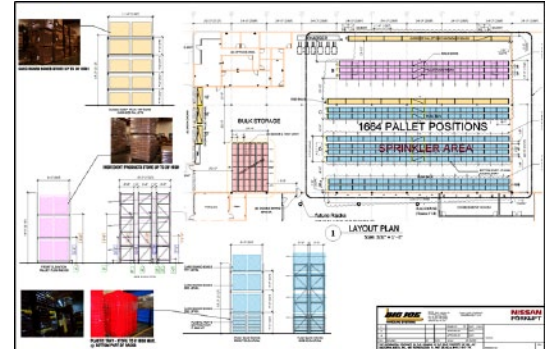
#### CHECK THE AREA

- Clear the area where the rack system is to be located.
- Check the area for all obstructions, such as lights, heating ducts, pipes, building columns etc., to insure a clear area for the installation of the storage rack.

### STEP 2

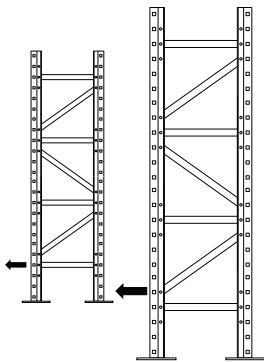
#### LAY OUT FLOOR

- Recommended tools (Tape Measure and Chalk Line)
- Establish the rack lay out by determining the aisle dimensions and the rack position.
  - Snap a chalk line establishing the front edge of the upright bases. The chalk line should run the entire length of the row of rack.



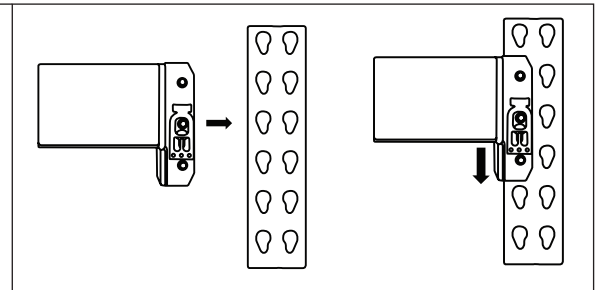
### STEP 3

#### ASSEMBLE FIRST BAY



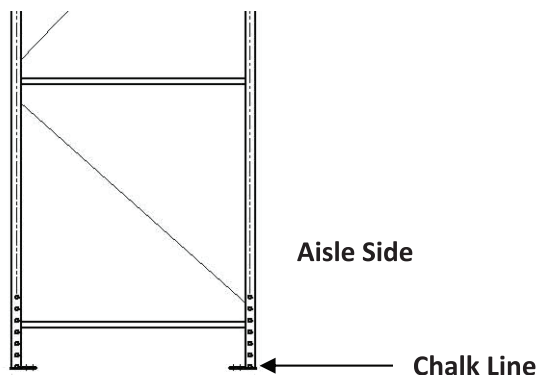
Recommended tools (Air compressor, Torque wrench, 3/4" drive impacts or equivalent)

- Bolt one beam to the upright frame using the hardware provided. The bolt is inserted through the front of the frame column so that the nut shows on the inside of the column when assembled.
- Stand the second upright frame vertically, attaching the load beam as above.
- Install second beam on opposite side of upright frames, at identical height of first beam.



- Move and align bay so that front edge of upright bases is on chalk line.

Note: It is recommended that a lift truck be used to stand and position frames.



- Install subsequent beam levels from the lowest level to the highest level.

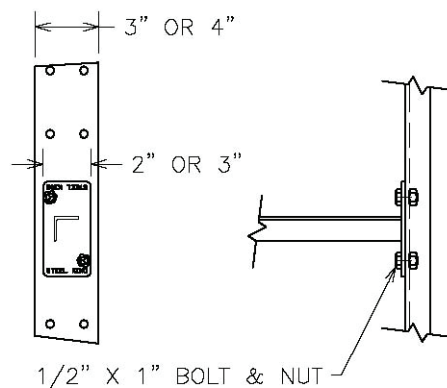
## INSTALLATION INSTRUCTIONS FOR PALLET RACK

### STEP 4 ANCHOR

Every column of each rack frame must be anchored to an adequate concrete floor. The normal anchor connection is one ½" diameter x 3-3/4" concrete expansion anchor per column.

### STEP 5 ROW SPACER

When row spacers are required, each component must have (2) ½" diameter x 1" bolts and nuts per connection.



BOLTED CONNECTION OF  
ROW SPACER (RSC) TO  
CHANNEL UPRIGHT (BCF)

### STEP 6 TIGHTENING

Tighten all accessory nuts and bolts (row spacers and pallet supports) and double check anchor connections to complete the installation process.

### STEP 7 CAPACITY SIGN

Installation of "sign plates" are strongly recommended. These signs should identify the characteristics for which the rack was designed, such as load size, load weight, and rack configuration. These signs are very useful for communicating safe loading information to both present and future users. Several signs should be prominently located for easy visibility, and be permanently affixed to the rack structure. Appropriate signs can be obtained through Big Joe Handling Systems.