



Automated High Lift Pallet Stacker L-MATIC AC 2,200 lb. Capacity

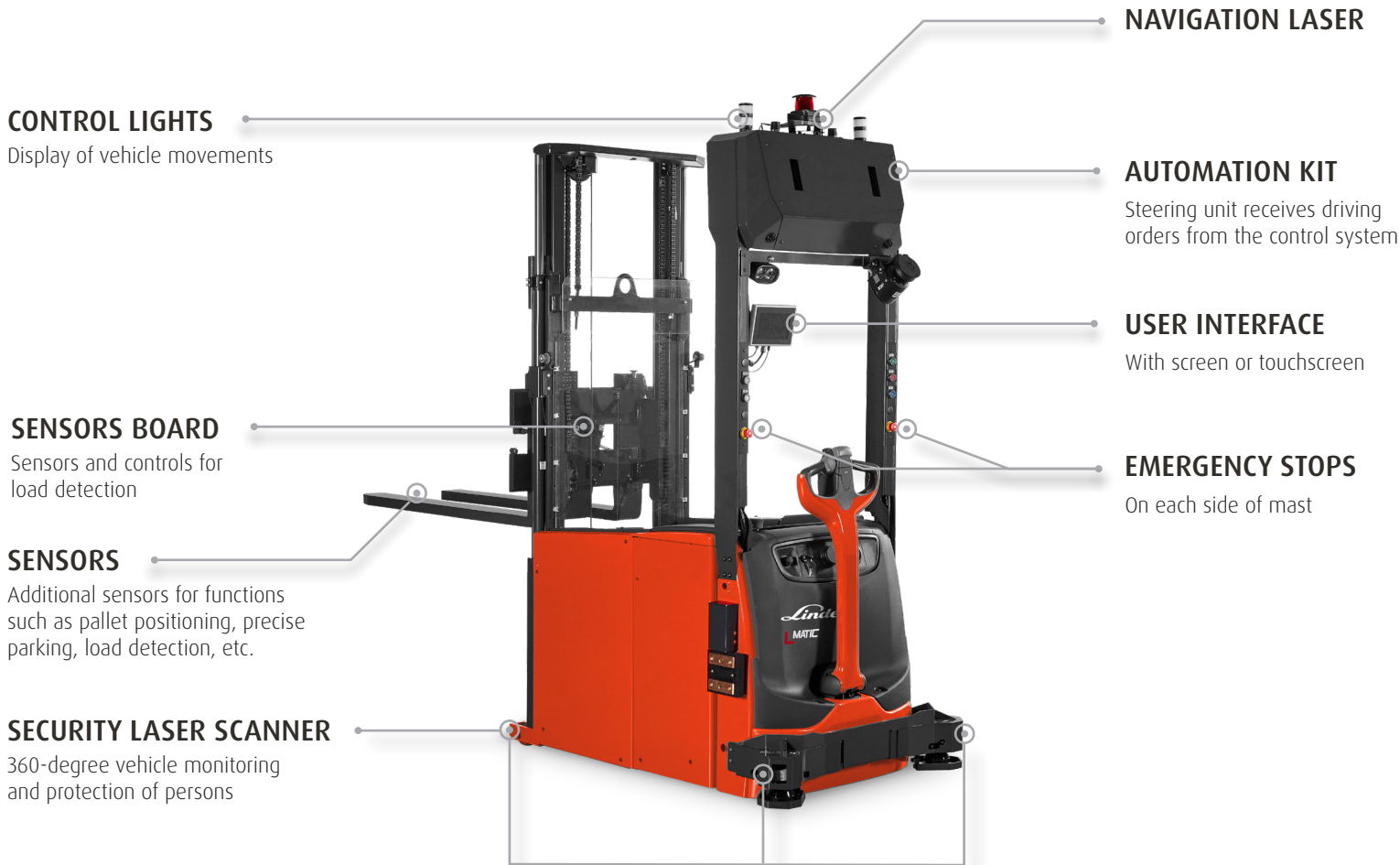
Linde's L-MATIC automated pallet stacker specializes in horizontal transport interfacing between floor and low height transfer locations.

Automated Guided Forklifts [AGF's] are the future of efficient material flow. They mitigate labor market dependency, take over repetitive transport tasks, increase throughput volume, and reduce error and accident rates in the warehouse. Linde Automation offers a wide range of cutting-edge automation solutions for pallet handling warehouse trucks from the MATIC Series. All models are platformed on series manufactured trucks with integrated intelligent navigation, safety technology, and software.

- **The Linde L-MATIC is a counterbalanced stacker designed to transport pallet loads up to 2200 lbs throughout the warehouse with lift capabilities up to 10 ft.**
- **It is frequently used for A to B pallet transport applications replenishing production lines. L-Matic fleets commonly interconnect a pallet storage system, for instance Very Narrow Aisle (VNA) storage, with workstations or goods receiving and staging in logistics hubs.**
- **The L-MATIC is ideally suited to handing over to/from floor locations, conveyor interfaces, and small buffer racks.**
- **MATIC systems are scalable and flexible, presenting an effective and relatively small-sized AGF alternative for pallet flows that are often carried out by large manually operated vehicles**

LINDE L-MATIC

Characteristics	Manufacturer		LINDE
	Manufacturer's type designation		L - Matic
	Power unit		Battery
	Load capacity/Load	(lb)	2,200
	Mast Lift Height (up to second pallet level)	(ft)	9.5
	Standard lowered mast height	(in)	75
	Navigation		Laser navigation
	Laser navigation scan height	(in)	98
	Overall Size (LxW)	(in)	114x39
	Travel Speed	(mph)	2.8
	Standard Battery Voltage/Rated Capacity	(V) (Ah) Pbs	24 /270
	Max floor incline	(in)	Subject to application
	Operation capability	(in)	Automated & Manual auxiliary operation
	Principal equipment compliance standards/norms		ANSI B56.5 Part III Machinery Directive (CE) requirements ISO3691-4 standard NFPA-70
Common options	Blue Spot		
	Automatic charging		



For more information on Linde Material Handling equipment, please contact:

KION North America Corporation
 2450 West 5th North Street, Summerville, SC 29483
 Phone: (843) 875.8000 Truck Sales Fax: (843) 875.8471
 Email: trucksales.na@kiongroup.com
linde-mh.us/automation



Member of KION Group